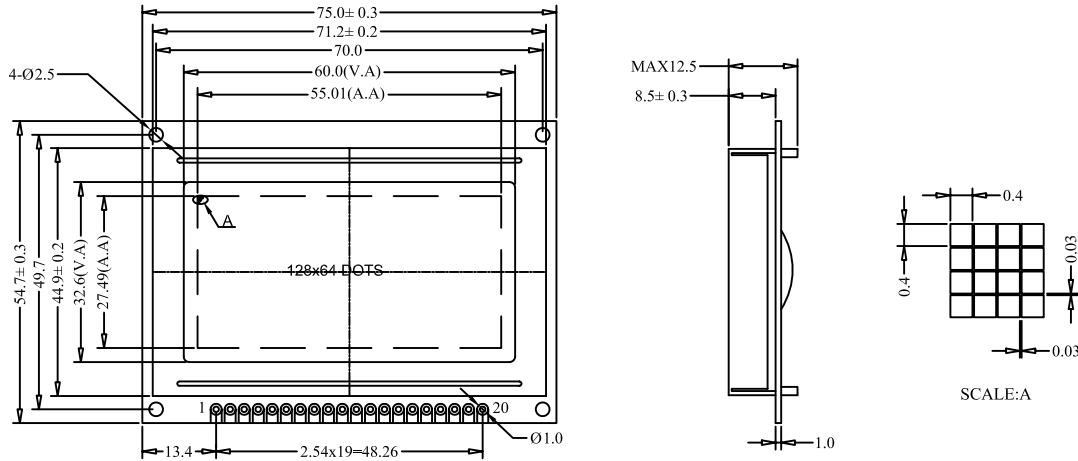


1. DIMENSION OUTLINE



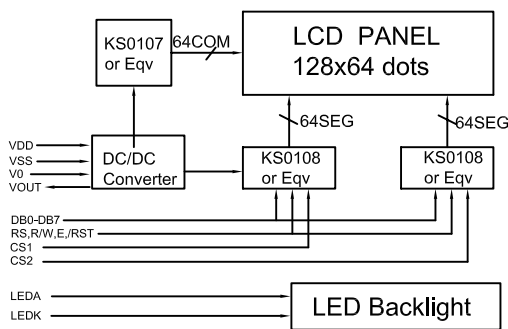
2. MECHANICAL SPECIFICATIONS

ITEM	SPECIFICATIONS	ITEM	REMARK
Module Size(L×W×H)	75.0×54.7×12.5	mm	Reference Dimensional Outline
View Area(W×H)	60.0×32.6	mm	
Effective V/Area	55.01×27.49	mm	
Number of Characters	128×64	-	
Dot Pitch(W×H)	0.43×0.43	mm	
Dot Size(W×H)	0.40×0.40	mm	
Weight (Reflective/Led)		g	

3. ABSOLUTE MAXIMUM RATINGS

ITEM	SYMBOL	CONDITION	STANDARD	
			MIN	MAX
Logic Voltage	V _{DD}	T _a =25°C	-0.3V	7V
LCD Voltage	V _{LCD}		-0.3V	17.5V
Input Voltage	V _I		-0.3V	V _{DD} +0.3V
Operation Temperature	T _{OP}	—	-20°C	70°C
Storage Temperature	T _{St}	—	-30°C	80°C

4. BLOCK DIAGRAMMECHANICAL



5. LED BACKLIGHT SPECIFICATIONS

ITEM	SYMBOL	TYPE	MAX	UNIT
T _a =25°C				
Forward Voltage	V _f	4.1	4.3	V
Forward Current	I _f	80	120	mA
Emission Wave Length	λ _P	571	—	nm

6. INTERFACE PIN CONNECTIONS

ITEM	SYMBOL	LEVEL	FUNCTIONS
1	VDD	+5V	Power supply for logic
2	VSS	0V	Power Ground
3	V0	—	Contrast adjust
4-11	DB0-DB7	H/L	Data Bus
12	CS1	L	Chip selection IC1
13	CS2	L	Chip selection IC2
14	/RST	L	Reset signal
15	R/W	H/L	H:read L:write
16	RS	H/L	H:data L:command
17	E	H.H→L	Enable signal
18	VOUT	—	Output voltage for lcd driving
19	LEDA	+5V	Power supply for IED backlight
20	LEDK	0V	

7. ELECTRICAL CHARACTERISTICS

ITEM	SYMBOL	MIN	TYPE	MAX	UNIT
T _a =25°C					
Logic Power	V _{DD}	4.5	5	5.5	V
Input High Voltage	V _{IH}	0.8V _{DD}	—	V _{DD}	V
Input Low Voltage	V _{IL}	VSS	—	0.8	V
Output High Voltage	V _{OH}	2.4	—	—	V
Output Low Voltage	V _{OL}	0	—	0.4	V
Logic Current	I _{DD}	—	6	8	mA
Operation Voltage For LCD	V _{DD-V0}	—	10.5	—	V