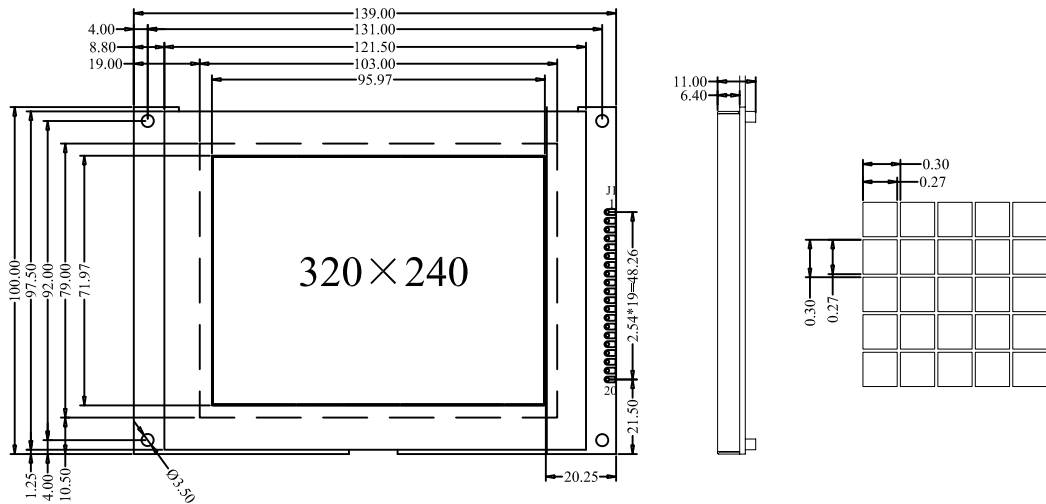


1.DIMENSION OUTLINE



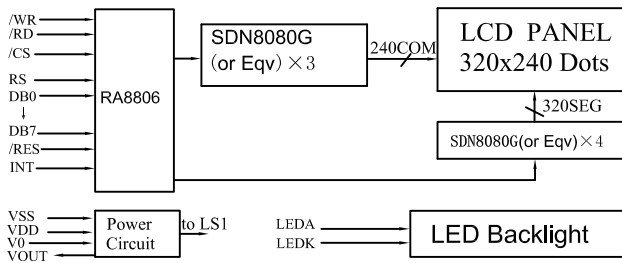
2.MECHANICAL SPECIFICATIONS

ITEM	SPECIFICATIONS	ITEM	REMARK
Module Size(L×W×H)	139.0×100.0×11.0	mm	Reference Dimensional Outline
View Area(W×H)	103.0×79.0	mm	
Effective V/Area	95.97×71.97	mm	
Number of Characters	320×240	-	
Dot Pitch(W×H)	0.30×0.30	mm	
Dot Size(W×H)	0.27×0.27	mm	
Weight (Reflective/Led)	-	g	

3.ABSOLUTE MAXIMUM RATINGS

ITEM	SYMBOL	CONDITION	STANDARD	
			MIN	MAX
Logic Voltage	V _{DD}	Ta=25°C	-0.3V	7V
LCD Voltage	V _{LCD}		-0.3V	25V
Input Voltage	V _I		-0.3V	V _{DD} +0.3V
Operation Temperature	T _{OP}	—	-20°C	70°C
Storage Temperature	T _{St}	—	-30°C	80°C

4.BLOCK DIAGRAMMECHANICAL



5.LED BACKLIGHT SPECIFICATIONS

ITEM	SYMBOL	TYPE	MAX	UNIT
Ta=25°C				
Forward Voltage	V _f	3.0	3.1	V
Forward Current	I _f	150	—	mA
Emission Wave Length	λ _P	white	—	nm

7.INTERFACE PIN CONNECTIONS (J1)

ITEM	SYMBOL	LEVEL	FUNCTIONS
1	VSS	0V	Power Ground
2	VDD	+5V	Power supply for logic
3	V0	—	Contrast adjust
4	RS	H/L	H:command L:data
5	/WR	L	Write signal
6	/RD	L	Read signal
7-14	DB0-DB7	H/L	Data Bus
15	/REST	L	Reset signal
16	/CS	L	When /CS=L,RA8806 is selected
17	INT	H/L	interrupt signal
18	VOUT	—	Output voltage for LCD driving
19	LEDA	+5V	Power supply for LED backlight
20	LEDK	0V	

6.ELECTRICAL CHARACTERISTICS

ITEM	SYMBOL	MIN	TYPE	MAX	UNIT
Ta=25°C					
Logic Power	V _{DD}	4.5	5	5.5	V
Input High Voltage	V _{IH}	V _{DD} -2.2	—	V _{DD}	V
Input Low Voltage	V _{IL}	0	—	0.8	V
Output High Voltage	V _{OH}	V _{DD} -0.3	—	V _{DD}	V
Output Low Voltage	V _{OL}	0	—	0.3	V
Logic Current	I _{DD}	—	—	120	mA
Operation Voltage For LCD	V _{DD} -V ₀	—	21.5	—	V