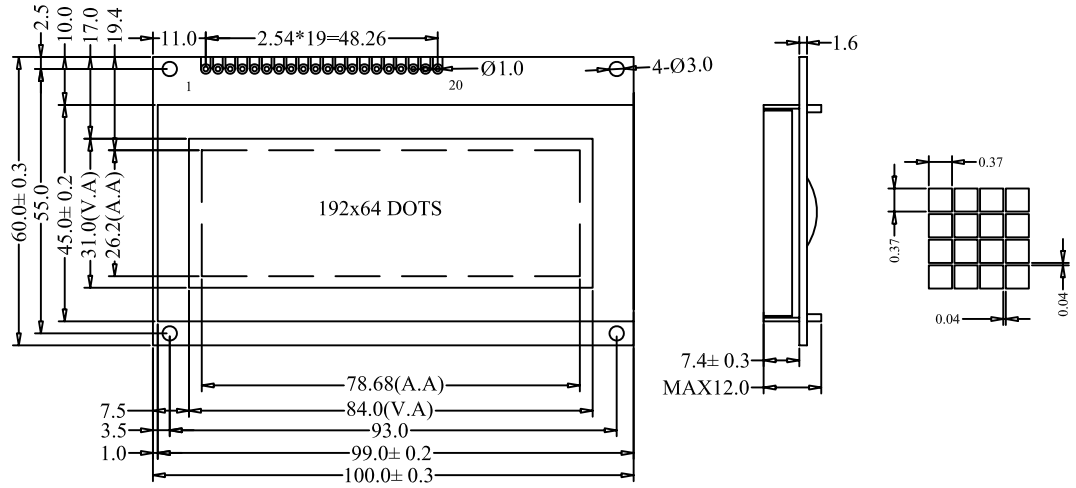


1. DIMENSION OUTLINE



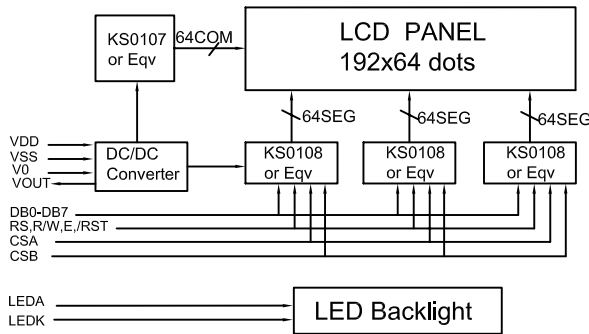
2. MECHANICAL SPECIFICATIONS

ITEM	SPECIFICATIONS	ITEM	REMARK
Module Size(L×W×H)	100.0×60.0×12.0	mm	Reference Dimensional Outline
View Area(W×H)	84.0×31.0	mm	
Effective V/Area	78.68×26.2	mm	
Number of Characters	192×64	-	
Dot Pitch(W×H)	0.41×0.41	mm	
Dot Size(W×H)	0.37×0.37	mm	
Weight (Reflective/Led)	-	g	

3. ABSOLUTE MAXIMUM RATINGS

ITEM	SYMBOL	CONDITION	STANDARD	
			MIN	MAX
Logic Voltage	V _{DD}	Ta=25°C	-0.3V	7V
LCD Voltage	V _{LCD}		-0.3V	17.5V
Input Voltage	V _I		-0.3V	V _{DD} +0.3V
Operation Temperature	T _{OP}	—	-20°C	70°C
Storage Temperature	T _{St}	—	-30°C	80°C

4. BLOCK DIAGRAMMECHANICAL



5. LED BACKLIGHT SPECIFICATIONS

ITEM	SYMBOL	TYPE	MAX	UNIT
Ta=25°C				
Forward Voltage	V _f	4.1	4.3	V
Forward Current	I _f	80	—	mA
Emission Wave Length	λ _P	白背光	—	nm

6. INTERFACE PIN CONNECTIONS

ITEM	SYMBOL	LEVEL	FUNCTIONS
1	CSA	H/L	Chip Selection Signal
2	CSB	H/L	
3	VSS	0V	Power Ground
4	VDD	+5V	Power supply for logic
5	V0/NC	—	Contrast Adjust/No Connection
6	RS	H/L	H:data L:command
7	R/W	H/L	H:read L:write
8	E	H.H→L	Enable signal
9-16	DB0-DB7	H/L	Data Bus
17	LEDA	+5V	LED B/L Power Supply
18	LEDK	0V	
19	Vout/NC	—	Driver Voltage For LCD/No Connection
20	/RST	L	Reset signal

7. ELECTRICAL CHARACTERISTICS

ITEM	SYMBOL	MIN	TYPE	MAX	UNIT
Ta=25°C					
Logic Power	V _{DD}	4.5	5	5.5	V
Input High Voltage	V _{IH}	0.8V _{DD}	—	V _{DD}	V
Input Low Voltage	V _{IL}	VSS	—	0.8	V
Output High Voltage	V _{OH}	2.4	—	—	V
Output Low Voltage	V _{OL}	0	—	0.4	V
Logic Current	I _{DD}	—	6	8	mA
Operation Voltage For LCD	V _{DD-V0}	—	12	—	V